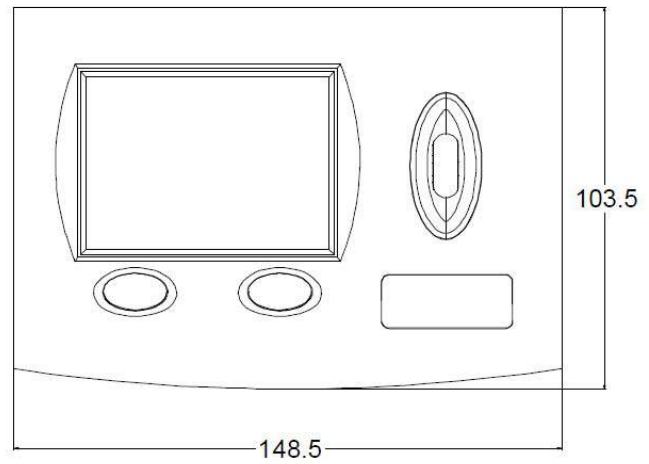
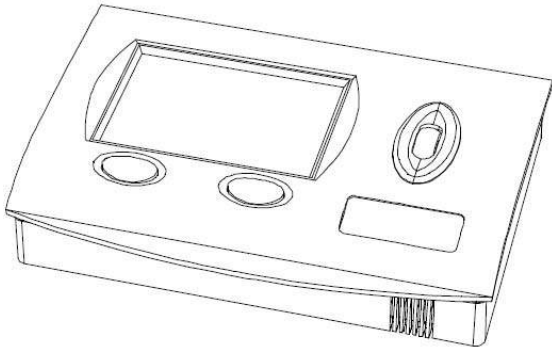
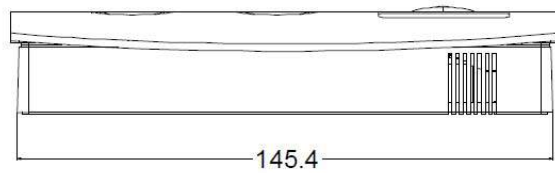
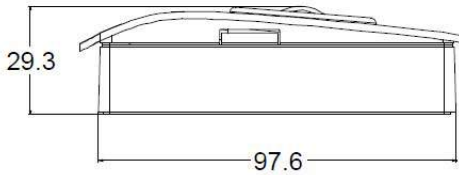


## Technical data

Fuse: 6.3 A fast-acting (outputs 12, 13, 14 extra protection - factory fitted: 6.3A fast-acting)

All other technical data correspond to the UVR1611 standard version

**Dimensions of the operating unit in mm:**



Dimensions of the power unit  
in mm:

